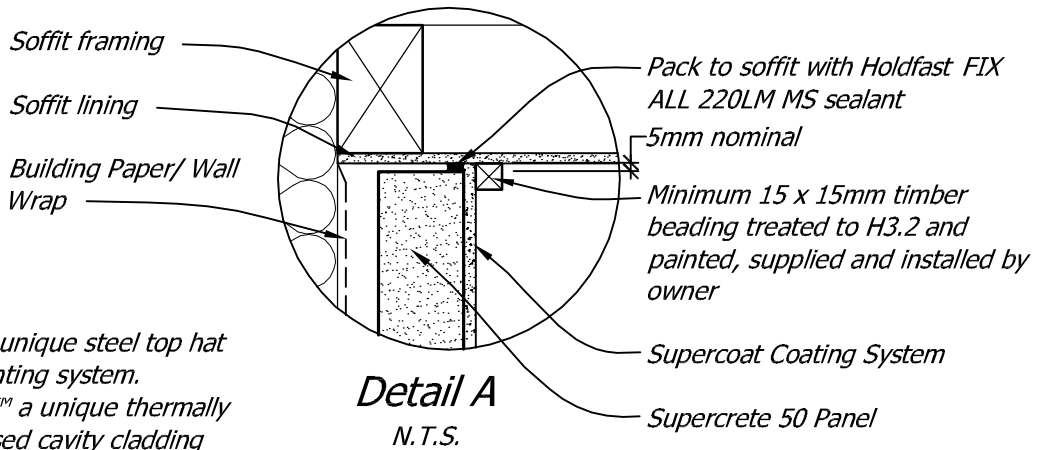


**Supercrete 50 Panel to Eave/Soffit Junction**



*Steelock™ a unique steel top hat batten mounting system.  
Thermoseal™ a unique thermally efficient closed cavity cladding system.*

**Supercrete**

**50**

Title: **Supercrete 50 Panel to Typical Eave/Soffit Junction**

Date: September 2011

Scale: 1:10

Detail No. **S50 5-1**

This drawing must be read in conjunction with the Supercrete 50 Cladding System Design & Installation Guide